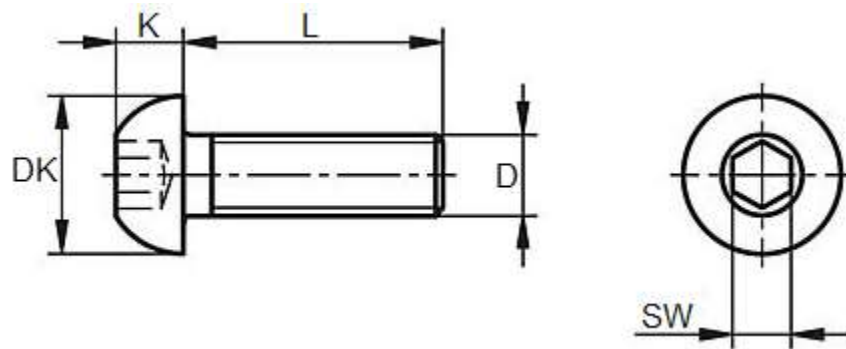


Metric ISO 7380 Button Head Hexagon Socket Cap Screw

Visit our [online store](#) for product availability



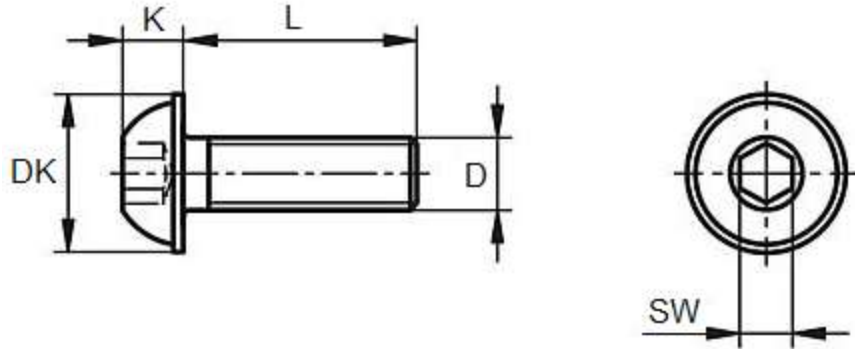
Dimensions of Metric ISO 7380-1 Button Head Hexagon Socket Cap Screw

D	DK	K	SW
M3	5.7	1.65	2
M4	7.6	2.2	2.5
M5	9.5	2.75	3
M6	10.5	3.3	4
M8	14	4.4	5
M10	17.5	5.5	6
M12	21	6.6	8
M16	28	8.8	10

All measurements are in mm

Aspen Fasteners 4807 Rockside Road, Suite 400, Independence, OH 44131 USA
www.aspenfasteners.com | aspensales@aspenfasteners.com | 1-800-479-0056

Headquarters: Independence OH USA; Montreal QC Canada;
 Distribution Centers: Boston MA; Chicago IL; Cincinnati KY; Dallas TX; Denver CO; Houston TX; Jersey City NJ; Los Angeles CA; Miami FL;
 San Francisco CA; Seattle WA; Washington VA; Toronto ON; Calgary AB; Vancouver BC; Jiutepec (Temixco); Mexico City; Monterrey



Dimensions of Metric ISO 7380-2 Button Head Hexagon Socket Cap Screw With Collar

D	DK	K	SW
M3	6.9	1.65	2
M4	9.4	2.2	2.5
M5	11.8	2.75	3
M6	13.6	3.3	4
M8	17.8	4.4	5
M10	21.9	5.5	6
M12	26	6.6	8

All measurements are in mm

Metric ISO 7380 Button Head Hexagon Socket Cap Screws have a button head head with an internal hexagonal drive suited for a hex / Allen key or wrench. ISO 7380-2 offers a additional collar/flange that increases the head diameter thereby increasing the weight bearing surface area. The internal drive is ideal for situations where externally wrenched screws are impractical such as in applications where limited space is available. Aspen Fasteners offers an extensive range of metric ISO 7380 Button Head Socket Cap Screws (with internal hexagon socket and internal 6-Lobe Torx-style drives) as well other inch and metric industrial fasteners for immediate delivery from stock. The following sizes of metric ISO 7380 Button Head Socket Cap Screws are available for immediate shipping from stock: Diameters ranging from M3 to M12 in lengths up to 120mm, in steel and stainless steel A2 and A4. View parts by clicking on the following link: [ISO 7380 Button Head Socket Cap Screw](#).

Aspen Fasteners 4807 Rockside Road, Suite 400, Independence, OH 44131 USA
www.aspenfasteners.com | aspensales@aspenfasteners.com | 1-800-479-0056